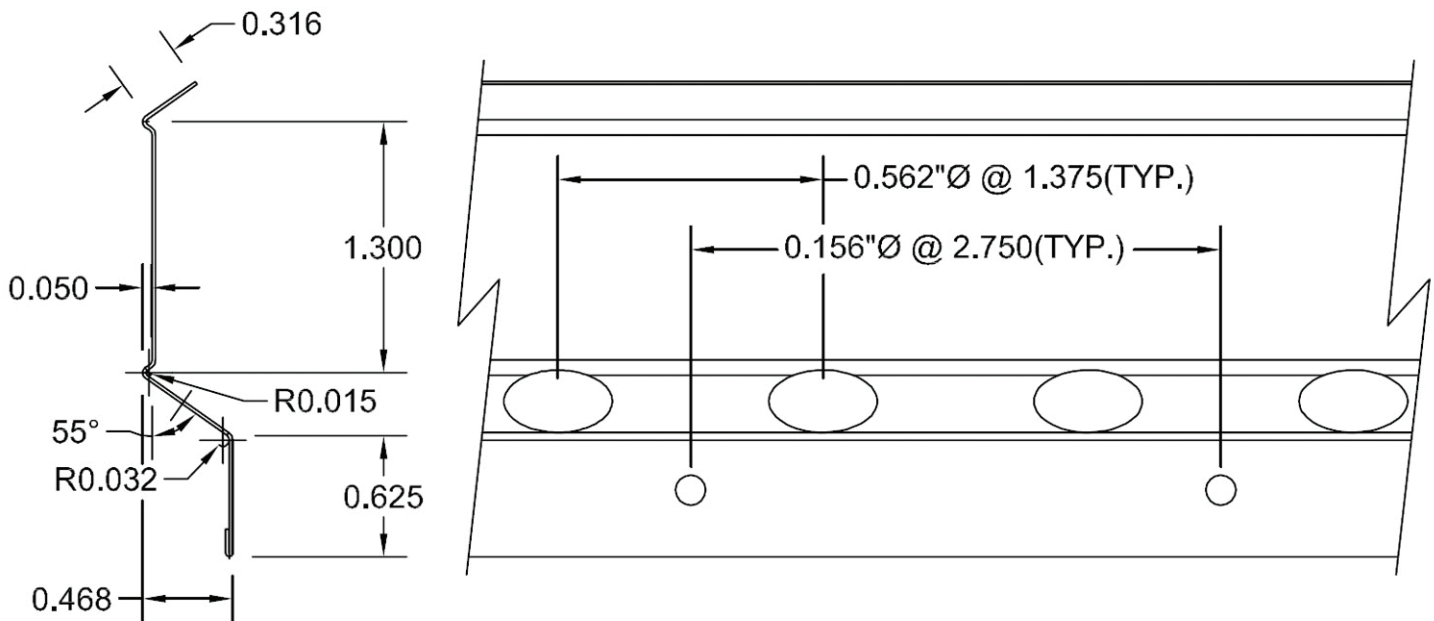


Resilient Bar



Our metallic resilient bars conform to Canadian steel standards. They are available in standard 12 foot lengths. They are an economical means of reducing noise transmission for wood or metal structural or load bearing partitions. Minimum coating for this product is G40.

Standards:

Standards applicable to steel stud systems, trim and accessories:

Steel profile, thickness and dimensions - ASTM C645

Steel grade - ASTM A1003

Coating (Galvanization) - ASTM A653



Imperial
Manufacturing Group®

40, RUE INDUSTRIAL PARK STREET
RICHIBUCTO, NB CANADA E4W 4A4
TOLL FREE: 800 561-3100
WWW.IMPERIALGROUP.CA