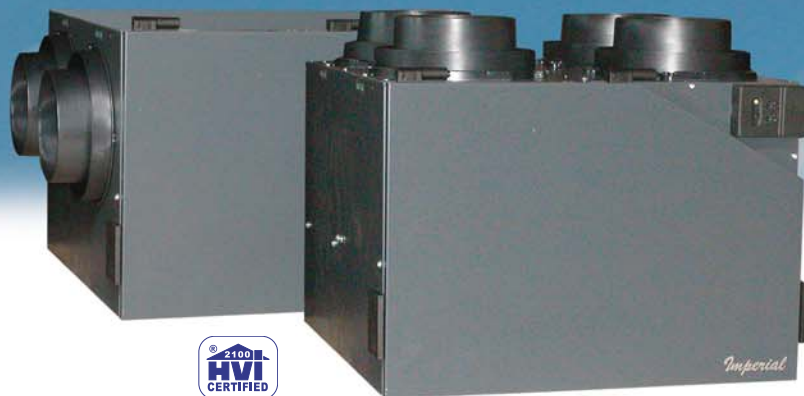


Controlled Ventilation *Living*

SPACE SAVING HEAT RECOVERY VENTILATORS (SS 3.12)

(30 to 140 cfm)

Solutions worthy of nature...™



DuoTrol™ balancing system (Patent Pending)



Silent and economical... By reducing motor speed to balance the unit, you avoid the noise that would be produced by balancing dampers. In addition, with this technology the unit will consume less energy.

SPM™ attachment system



The entire line of HRV products is designed for installation by a single person. "Single Person Mounting™" will enable you to save time and effort by offering you a variable attachment system and maximizing your basement space.

ISF™ 6" (dia.) collar system (Patent Pending)



Quick and simple to install thanks to our revolutionary "Insert Slide and Fix™" collar system. The "ISF™" enables you to manipulate duct within your reach and then insert the collar to the HRV by sliding it in place, for a better and quicker installation.

German Engineered motors



All products are designed with high-performance and reliable motors for your comfort and peace of mind. Factory sealed and dynamically balanced, our motors are maintenance-free for years to come.



Why is our system the best?

FEATURES

- Selection of controls
- Compact installation (Top port or Side port)
- "DuoTrol™" balancing system (patent pending)
- Sloped drain pan
- Backward inclined motor blades
- Permanent lubrication of PSC motors
- 5-year limited warranty on the ventilation motors
- Limited lifetime warranty on the heat recovery core
- Easy access to the control connection box
- "ISF™" 6" (dia.) collar system (patent pending)
- "SPM™" attachment system
- Integrated furnace interlock

BENEFITS

- Operating flexibility
- Maximizes your space
- Silent and economical
- Eliminates bacteria-producing stagnant water
- Silent
- Maintenance-free bearings
- Reliable and trouble-free
- Peace of mind
- Eliminates risks of error
- Quick and simple to install
- Variable settings
- Simplifies connection to any forced air system

Range of controls

For optimal performance of your HRV system.

Green Thinker model™

The entire range of controls is offered with features making your ventilation system simple, easy to operate.

Choose from: RD-1, RD-2, RD-3P RD-4P RD-3D, RD-4D and T-3 (Push-Button Timer)



USER-FRIENDLY CONTROLS
RD-4P and T-3 models shown above

For expert advice, contact us at:

1-888-724-5211

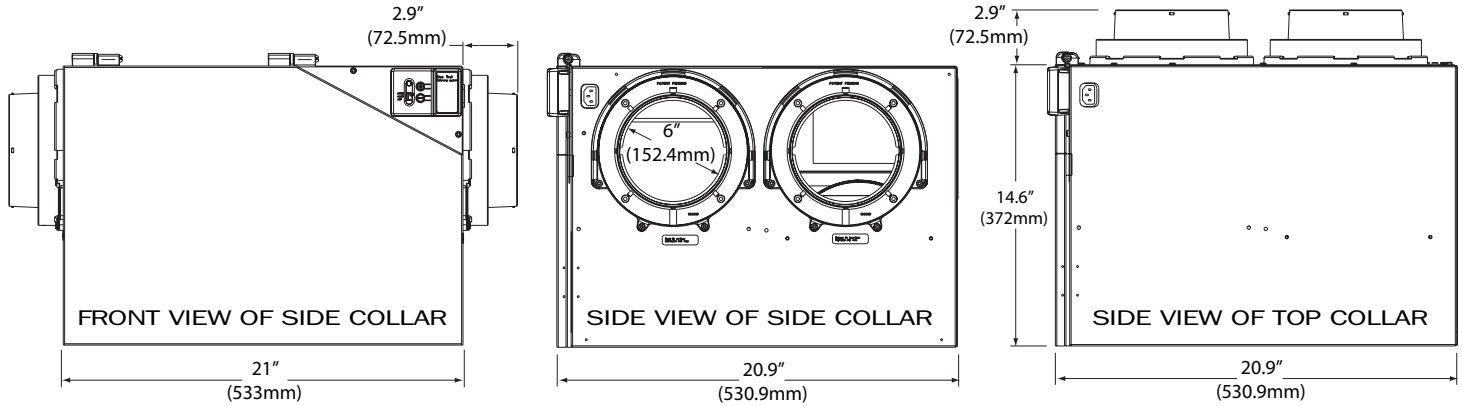
www.imperialgroup.ca



ENGINEERING DATA - SS 3.12

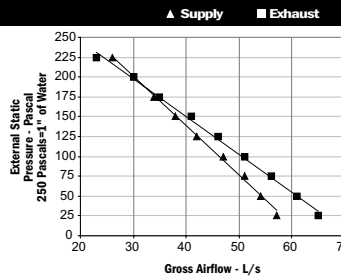
DIMENSIONS

* SS 3.12 - SIDE COLLAR CABINET & TOP COLLAR CABINET ARE EXACTLY THE SAME SIZE.



VENTILATION PERFORMANCE SS 3.12 FSD

External Static Pressure	Net Supply Air Flow		Gross Air Flow Supply		Gross Air Flow Exhaust		Power WATTS
	Pa	in. W.C.	L/s	CFM	L/s	CFM	
25	0.1	56	120	57	121	65	139
50	0.2	53	113	54	114	61	128
75	0.3	50	106	51	107	56	120
100	0.4	46	98	47	99	51	108
125	0.5	42	89	42	90	46	97
150	0.6	38	80	38	81	41	87
175	0.7	34	71	34	72	35	75
200	0.8	30	64	30	65	30	63
225	0.9	26	55	26	55	23	50



ENERGY PERFORMANCE SS 3.12 FSD

Supply Temperature	Net Air Flow	Average Power	Sensible Recovery	Apparent Sensible		
					°C	°F
HEATING						
0	32	30	64	90	59	72
0	32	44	94	118	56	66
0	32	54	115	134	54	64
-25	-13	33	71	94	54	74

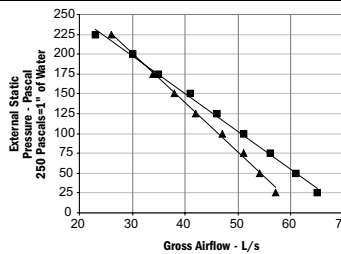
* NOTE: Fan curve was done at HRV maximum speed
250 Pascals=1" of water: 0.47 L/s= 1 CFM



Tested by: Bodycote Material Testing Canada Inc. (Ortech)

VENTILATION PERFORMANCE SS 3.12 DD

External Static Pressure	Net Supply Air Flow		Gross Air Flow Supply		Gross Air Flow Exhaust		Power WATTS
	Pa	in. W.C.	L/s	CFM	L/s	CFM	
25	0.1	56	120	57	121	65	139
50	0.2	53	113	54	114	61	128
75	0.3	50	106	51	107	56	120
100	0.4	46	98	47	99	51	108
125	0.5	42	89	42	90	46	97
150	0.6	38	80	38	81	41	87
175	0.7	34	71	34	72	35	75
200	0.8	30	64	30	65	30	63
225	0.9	26	55	26	55	23	50



ENERGY PERFORMANCE SS 3.12 DD

Supply Temperature	Net Air Flow	Average Power	Sensible Recovery	Apparent Sensible		
					°C	°F
HEATING						
0	32	30	64	90	59	72
0	32	44	94	118	56	66
0	32	54	115	134	54	64
-25	-13	30	63	97	59	75

* NOTE: Fan curve was done at HRV maximum speed
250 Pascals=1" of water: 0.47 L/s= 1 CFM



Tested by: Bodycote Material Testing Canada Inc. (Ortech)

SPECIFICATIONS

	SS 3.12 FSD	SS 3.12 DD
Size (L x W x H)	21" x 20.9" x 14.6"	21" x 20.9" x 14.6"
Weight	46 lbs (20.9 Kg)	47 lbs (21.4 Kg)
CFM	30 to 140	30 to 140
Type of heat exchanger	cross-flow (Polypropylene)	cross-flow (Polypropylene)
Heat exchanger (L x H x W)	19.5" x 11" x 10"	19.5" x 11" x 10"
Exchange surface	98 ft ²	98 ft ²
Filters (L x W x H)	10.5" x 10" x 0.625"	10.5" x 10" x 0.625"
Voltage	120 VAC @ 60 Hz	120 VAC @ 60 Hz
Amperage	1.5 A	1.5 A
Defrost type	Evacuation	Recirculation
Certification	HVI, USTC	HVI, USTC, Novoclimat

IMPORTANT INFORMATION

- All products are backed by the best limited warranty on the market.
- Imperial Air Technologies Inc. reserves the right to modify a product, without prior notice, whether in design, colour or specifications, in order to offer at all times a quality product that is highly competitive.
- Please consult local authorities to find out whether the installation of electrical products requires the services of a certified technician or electrician.

CONTACT INFORMATION

You can find Indoor Air Quality products at the following distributor:



Imperial
AIR Technologies Inc.
Imperial Air Technologies Inc.
480 Ferdinand Boulevard
Dieppe, NB Canada E1A 6V9
Toll-free: 1 888 724-5211
Fax: 1 (506) 388-4633
www.imperialgroup.ca

